



ISO 9001:2008

Columbus JACK/Regent

"The Strength of Experience"

PRODUCT DATA SHEET

WHEEL & BRAKE DOLLY

Model 9092-016, 750 Lb Capacity

Standard Features

- ◆ Minimum Weight and High Capacity
- ◆ Hydraulic Cylinder Lifts Cradle Assembly
- ◆ Brake Cradle Assembly
- ◆ 6" Diameter Poly Tread Casters for ease of maneuvering
- ◆ Rollers for aligning Wheel Assembly
- ◆ Strap Restraints for the Wheel Assembly
- ◆ Tow Bar Assembly, 3 mph maximum speed
- ◆ Skydrol Resistant Yellow Paint

Documentation

- ◆ Operation & Maintenance Manual
- ◆ Certificate of Conformance
- ◆ Load Test Reports
- ◆ Factory New - 12 Month Warranty



The Wheel & Brake Dolly is used worldwide by most major airlines, making wheel changes a one-person operation. It is a portable self-contained unit capable of handling and transporting either a wheel/tire or brake assembly during the removal from or installation on an aircraft. A single speed, hand operated hydraulic jack is centrally located on the dolly structure to provide vertical lift. A release valve is provided on the jack for lowering the dolly. Our Wheel & Brake Dolly is built to withstand harsh environmental conditions, rugged use and to provide many years of continuous service.

WHEEL & BRAKE DOLLY SPECIFICATIONS

CAPACITY (Lbs/kg)	MINIMUM TIRE DIAMETER (Inches/mm)	MAXIMUM TIRE DIAMETER (Inches/mm)	WIDTH (Inches/mm)	HEIGHT (Inches/mm)	LENGTH (Inches/mm)	NET WEIGHT (Est.) (Lbs/kg)	CRATED WEIGHT (Est.) (Lbs/kg)	CRATE DIMENSIONS (L x W x H) (Inches/mm)	CU FT CRATED (Est.) (Cu ft/cu m)
750	30.0	55.0	45.0	29.0	36.0	275	375	38 x 47 x 37	38.2
340	762	1,397	1,143	737	914	125	170	965 x 1,194 x 940	1.1

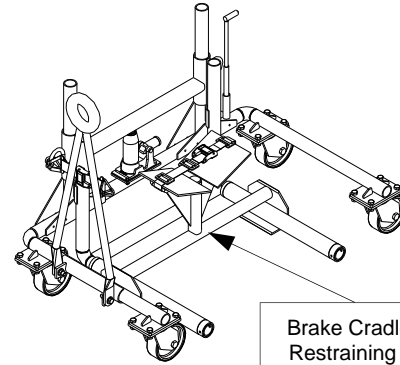


Columbus JACK/Regent

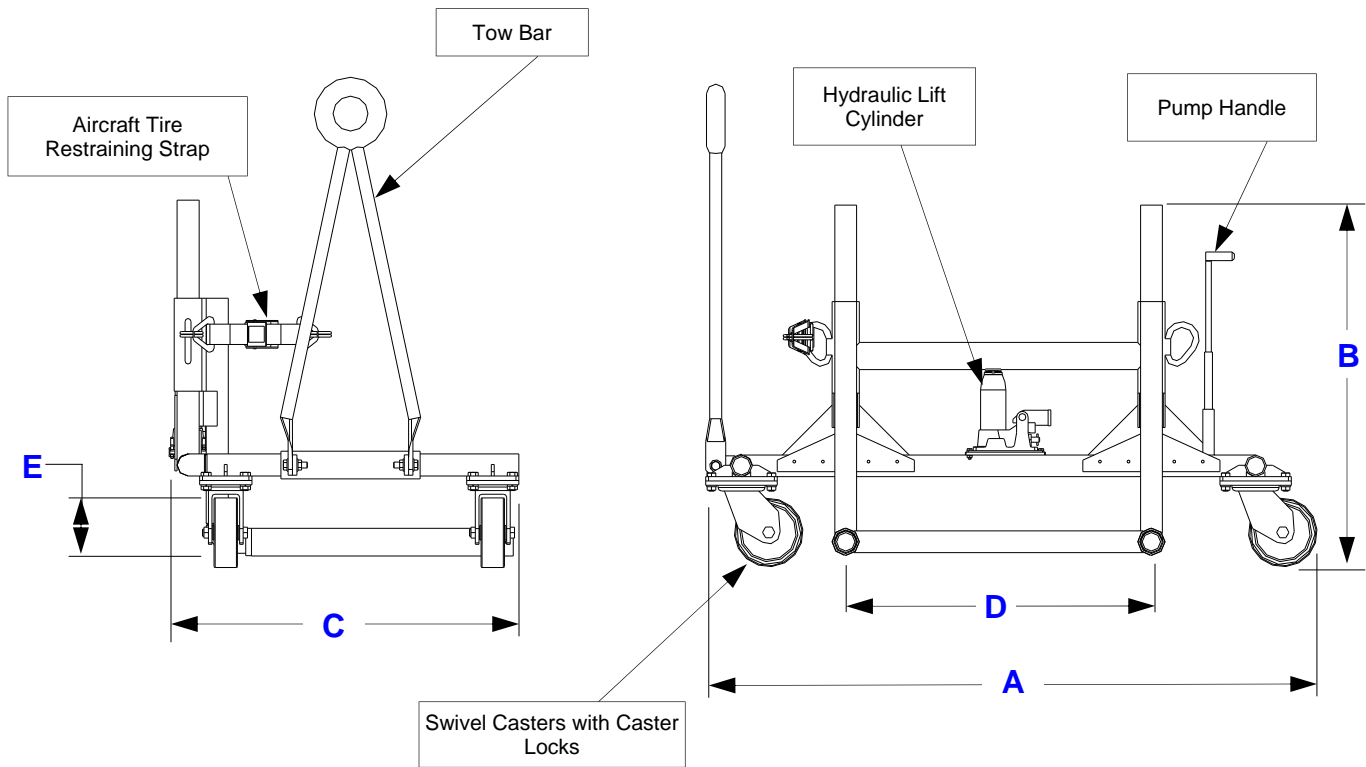
"The Strength of Experience"

ISO 9001:2008

WHEEL & BRAKE DOLLY Model 9092-016, 750 Lb Capacity



Brake Cradle with Restraining Strap



WHEEL & BRAKE DOLLY SPECIFICATIONS							
	A	B	C	D	E		
CAPACITY (Lbs/kg)	OVERALL WIDTH (Inches/mm)	OVERALL HEIGHT (Inches/mm)	OVERALL LENGTH (Inches/mm)	DISTANCE BETWEEN TINES (Inches/mm)	MAXIMUM LIFT (Inches/mm)	MINIMUM TIRE DIAMETER (Inches/mm)	MAXIMUM TIRE DIAMETER (Inches/mm)
750	45.0	29.0	30.0	26.75	5.0	30.0	55.0
340	1,143	737	762	679	127	762	1,397