

ISO 9001:2008

ColumbusJACK/Regent

"The Strength of Experience"

PRODUCT DATA SHEET TIRE BEAD BREAKER Model 9470-011, 12,000 Lb Capacity

Standard Features

- ◆ 12,000 Lb Capacity
- ◆ Electric Driven Hydraulic Pump
- ◆ Universal transformer operates on all major electrical voltages
- ◆ Multi-Aircraft Spider Plate Assembly with four (4) each Adjustable Spades on each side
- ◆ Standard 'O' Rings and Teflon Back-up Rings
- ◆ No special tools required
- ◆ Skydrol Resistant Yellow Paint or to customer specifications

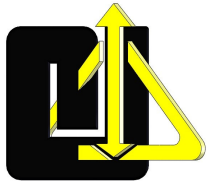
Documentation

- ◆ Operation and Maintenance Manual
- ◆ Load Test Reports
- ◆ Certificate of Conformance
- ◆ Factory New - 12 Month Written Warranty



Our Bead Breakers are designed and built to meet or exceed the most demanding requirements of the international ground support wheel shops and provide low maintenance operation. They will withstand harsh environmental conditions, rugged use and provide many years of long and dependable service. Most of our Bead Breakers are ringless and can support all rotary wing, fighter, general aviation, commuter, regional, narrow and wide body aircraft with bias and radial tires. All Bead Breaker Fingers are easily adjusted to the diameter of the wheel assembly.

TIRE BEAD BREAKER SPECIFICATIONS							
BREAKING CAPACITY (Lbs/Kg)	BREAKER OPENING Min - Max (Inches/mm)	TIRE WIDTH CAPACITY (Inches/mm)	RIM SIZE RANGE Min - Max (Inches/mm)	NET WEIGHT (Est.) (Lbs/kg)	CRATED WEIGHT (Est.) (Lbs/kg)	CRATE DIMENSIONS (Est. - L x W x H) (Inches/mm)	CU FT CRATED (Est.) (Cu ft/cu m)
12,000	2.0 - 19.0	16.5	7.0 - 21.0	1,300	1,450	48 x 71 x 50	99
5,443	51- 482	419	178 - 533	590	658	1,219 x 1,803 x 1,270	2.8



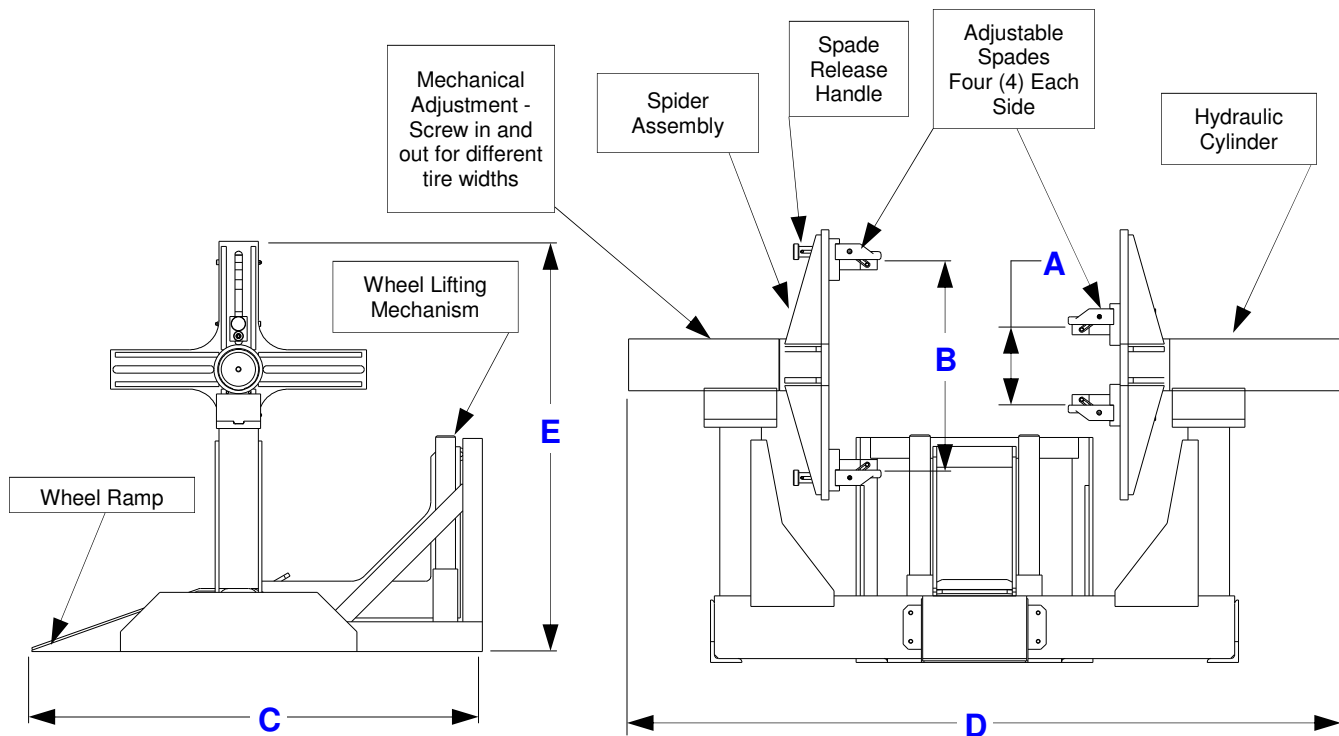
ColumbusJACK/Regent

"The Strength of Experience"

ISO 9001:2008

TIRE BEAD BREAKER

Model 9470-011, 12,000 Lb Capacity



TIRE BEAD BREAKER SPECIFICATIONS					
	A	B	C	D	E
BREAKING CAPACITY (Lbs/kg)	BREAKER OPENING MINIMUM (Inches/mm)	BREAKER OPENING MAXIMUM (Inches/mm)	LENGTH (Inches/mm)	WIDTH (Inches/mm)	HEIGHT (Inches/mm)
12,000	2.0	19.0	46.0	68.5	42.0
5,443	51	482	1,168	1,740	1,067