

ISO 9001:2008

# Columbus JACK/Regent

*"The Strength of Experience"*

## PRODUCT DATA SHEET

# RHINO AXLE JACK

**Model 8398-012, 65 Ton Capacity**

### Standard Features

- ◆ 65 Ton Capacity
- ◆ Manual Hand Pump
- ◆ Air Powered Pumping Unit
- ◆ Rapid Lifting Arm Extension To Jacking Point with No Load
- ◆ Mechanical Lock Nut
- ◆ Mechanical Jack Frame Lowering Devices on both Trailing Casters
- ◆ Single External Relief Valve
- ◆ Tow Bar Assembly - Maximum Towing Speed 3 MPH
- ◆ 8" Diameter Casters with Poly Tread
- ◆ Skydrol Resistant Yellow Paint

### Documentation

- ◆ Operation & Maintenance Manual
- ◆ Certificate of Conformance
- ◆ Load Test Report
- ◆ Factory New - 12 Month Written Warranty

### Available Optional Equipment

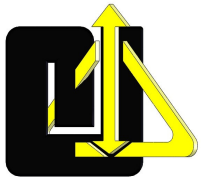
- ◆ 5923-D Wheel/Brake Sling Assembly
- ◆ 5923-E Wheel/Brake Crane Assembly



The Rhino Jack is designed for use with multiple flat tires where minimum clearance is available. With excellent mobility characteristics it is easily positioned under the aircraft. Mechanical safety lock nuts permit two or more wheels to be removed simultaneously. It is available with optional sling and crane assembly to remove wheels and brakes from axle.

### **RHINO AXLE JACK SPECIFICATIONS**

<b>VERTICAL CAPACITY</b> (Tons/m tonnes)	<b>MINIMUM HEIGHT</b> (Inches/mm)	<b>HYDRAULIC LIFT</b> (Inches/mm)	<b>MAXIMUM EXTENDED HEIGHT</b> (Inches/mm)	<b>NET WEIGHT</b> ( Est. ) (Lbs/kg)	<b>CRATED WEIGHT</b> ( Est. ) (Lbs/kg)	<b>CRATE DIMENSIONS</b> (Est. - L x W x H) (Inches/mm)	<b>CU FT CRATED</b> ( Est. ) (Cu ft/cu m)
<b>65.0</b>	<b>4.5</b>	<b>24.0</b>	<b>28.5</b>	<b>3,100</b>	<b>3,600</b>	<b>106 x 40 x 55</b>	<b>135</b>
59.0	114	610	724	1,406	1,633	2,692 x 1,016 x 1,397	3.8

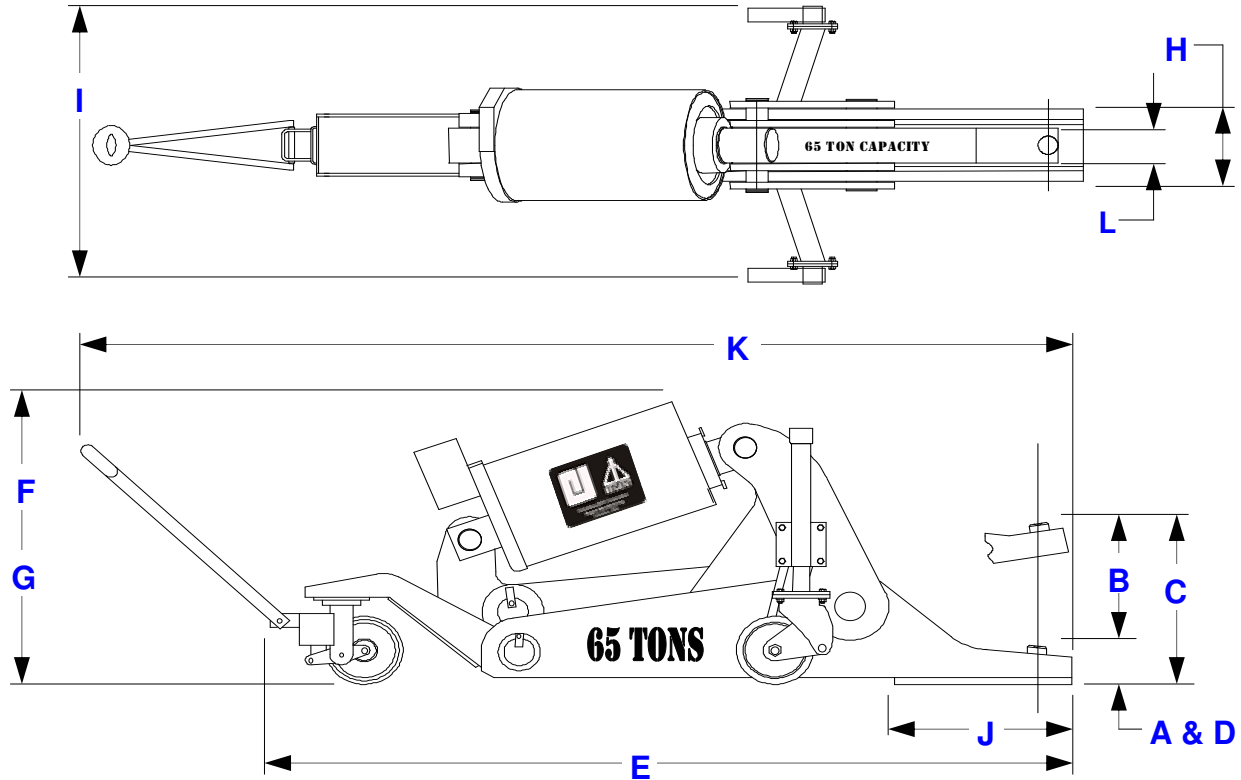


# Columbus JACK/Regent

*"The Strength of Experience"*

ISO 9001:2008

## RHINO AXLE JACK Model 8398-012, 65 Ton Capacity



RHINO AXLE JACK SPECIFICATIONS				
	A	B	C	D
<b>VERTICAL CAPACITY</b> (Tons/m tonnes)	<b>MINIMUM CLOSED HEIGHT</b> (Inches/mm)	<b>HYDRAULIC LIFT</b> (Inches/mm)	<b>MAXIMUM EXTENDED HEIGHT</b> (Inches/mm)	<b>ROLL UNDER HEIGHT</b> (Inches/mm)
65.0	4.5	24.0	28.5	4.5
59.0	114	610	724	114

JACKING APPLICATIONS	
NLG	MLG
A300	A300
A310	A310
-	A320
A330	A330
A340	A340
-	B727
-	B737
B747	B747
B757	B757
B767	B767
B777	B777
DC10	DC10
MD11	MD11
L1011	L1011

E	F	G	H	I	J	K	L
<b>LENGTH</b> (Inches/mm)	<b>HEIGHT OF JACK UP</b> (Inches/mm)	<b>HEIGHT OF JACK DOWN</b> (Inches/mm)	<b>WIDTH OF JACK BASE</b> (Inches/mm)	<b>WIDTH OF JACK</b> (Inches/mm)	<b>REACH DEPTH BASE</b> (Inches/mm)	<b>OVER ALL LENGTH</b> (Inches/mm)	<b>WIDTH OF ARM</b> (Inches/mm)
103.5	41.5	46.5	8.5	38.0	30.0	149.0	4.0
2,629	1,054	1,181	216	965	762	3,785	102