



ISO 9001:2008

Columbus JACK/Regent

“The Strength of Experience”

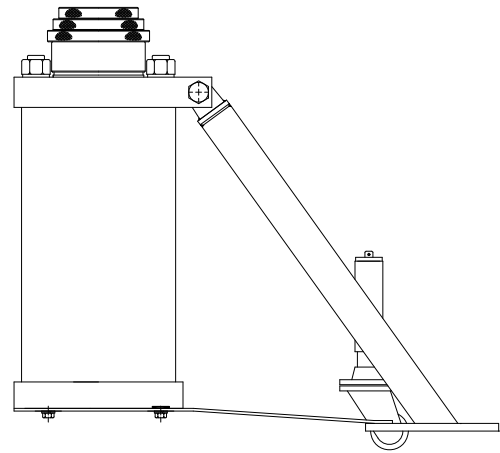
PRODUCT DATA SHEET UNIVERSAL TRIPOD JACK 3 STAGE *Model 1228-35(3), 12 Ton Capacity*

Standard Features

- ◆ Air Pump and Hand Pump for ease of operation
- ◆ Three (3) Hydraulic Stages with Mechanical Lock Nuts
- ◆ Skydrol Resistant Yellow Paint or to customer specifications

Documentation

- ◆ Operation and Maintenance Manual
- ◆ Certificate of Conformance
- ◆ Load Test Reports
- ◆ Factory New - 36 Month Written Warranty



Our Universal Height Tripod Jacks are used on and for a variety of aircraft jacking applications during normal aircraft maintenance checks. These jacks provide the customer with a variety of low minimum height tripod jacks with two stages of hydraulic lift for low and high wing, nose and tail jacking applications. They are designed and built to withstand harsh environmental conditions, rugged use and to provide many years of continuous service. The automatic safety by-pass valve prevents the lifting of a load greater than the capacity of the jack. Threaded rams with mechanical lock nuts prevent lowering of the jack under load in case of hydraulic leakage. Our Universal Tripod Jacks meet or exceed all known commercial and/or military requirements and specifications, and are cycle tested, load tested and proof-load tested to ensure the jack's hydraulic and structural integrity. We guarantee our customer a quality and dependable product and assure them of our continued product support regardless of the age of the jack.

UNIVERSAL 3 STAGE TRIPOD JACK SPECIFICATIONS

VERTICAL CAPACITY (Tons/m tonnes)	MINIMUM HEIGHT (Inches/mm)	HYDRAULIC LIFT (Inches/mm)	SCREW EXTENSION (Inches/mm)	MAXIMUM EXTENDED HEIGHT (Inches/mm)	NET WEIGHT (Est.) (Lbs/kg)	CRATED WEIGHT (Est.) (Lbs/kg)	CRATE DIMENSIONS (Est. - L x W x H) (Inches/mm)	CU FT CRATED (Est.) (Cu ft/cu m)
12.0	28.0	45.0	12.0	85.0	250	300	42 x 42 x 32	32.6
10.9	711	1143	305	2159	113	136	1067 x 1067 x 813	.92



Columbus JACK/Regent

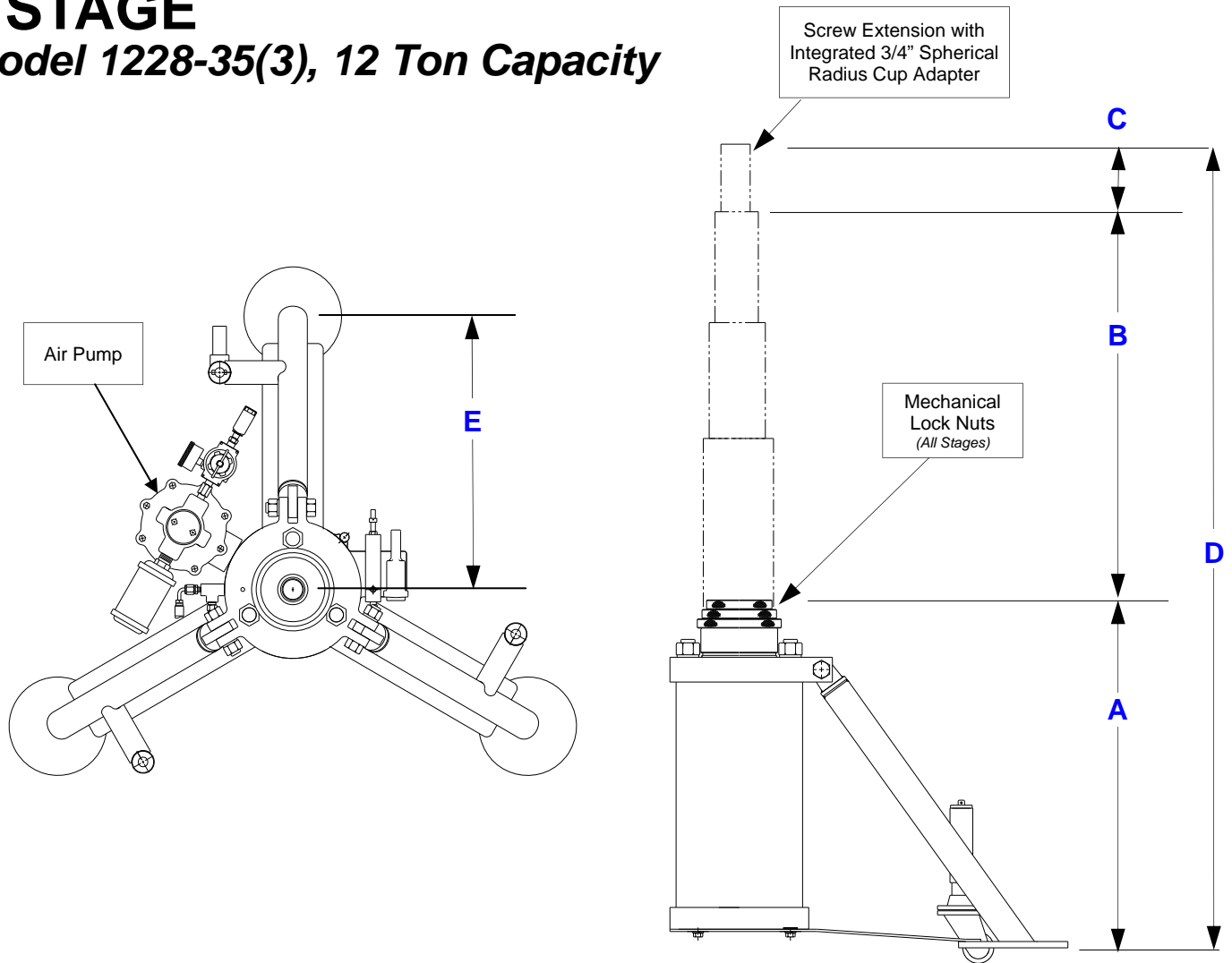
"The Strength of Experience"

ISO 9001:2008

UNIVERSAL TRIPOD JACK

3 STAGE

Model 1228-35(3), 12 Ton Capacity



UNIVERSAL 3 STAGE TRIPOD JACK SPECIFICATIONS					
	A	B	C	D	E
VERTICAL CAPACITY (Tons/m tonnes)	MINIMUM CLOSED HEIGHT (Inches/mm)	HYDRAULIC LIFT (Inches/mm)	SCREW EXTENSION (Inches/mm)	MAXIMUM EXTENDED HEIGHT (Inches/mm)	TRIPOD RADIUS (Inches/mm)
12.0	28.0	45.0	12.0	85.0	19.0
10.9	711	1143	305	2159	483